



**RYNAN**<sup>®</sup>  
TECHNOLOGIES  
PRINTING



# R20 & REACH

CONTROLLER PRINTHEAD

---

Touch Screen Controller With Funai TIJ Dual  
Print Heads

PRODUCT

# DESCRIPTION

The RYNAN R20 REACH is the next generation of RYNAN TIJ printers. With a 7" touch screen controller that connects up to two print heads (Funai TIJ technology) capable of longer throw distances, the R20 printer control system is highly adaptable to your packaging printing needs.



## VERSATILE



### Easy to use

7" Touch screen with intuitive WYSIWYG interface



### Integration

Sleek & streamlined for easy integration with 3rd party products



### Flexible

Variable database function to meet the requirements in all kinds of applications

## ADAPTABLE



### Throw Distance

Long throw distance up to 10mm



### Uneven Surface

Print on both porous/non-porous surfaces



### Head Printing

Connects up to 2 printhead

WHY CHOOSE

# R20 & REACH



## SIMPLE, INTUITIVE OPERATION

- ✓ User friendly 7" touchscreen color display with WYSIWYG graphical interface
- ✓ Easy to setup and integrate with any production line/ devices (PLC, Camera, Check-weigher, etc)
- ✓ Built-In Internal Sensors
- ✓ Max. 2 head can be controlled by one controller



## EXCELLENT PRINT QUALITY & CAPABILITIES

- ✓ High quality 300 dpi max print resolution
- ✓ High speed print at 40m/min at 300x200DPI
- ✓ Print height of up to 2 inch (~50mm)
- ✓ Print length of up to 2m



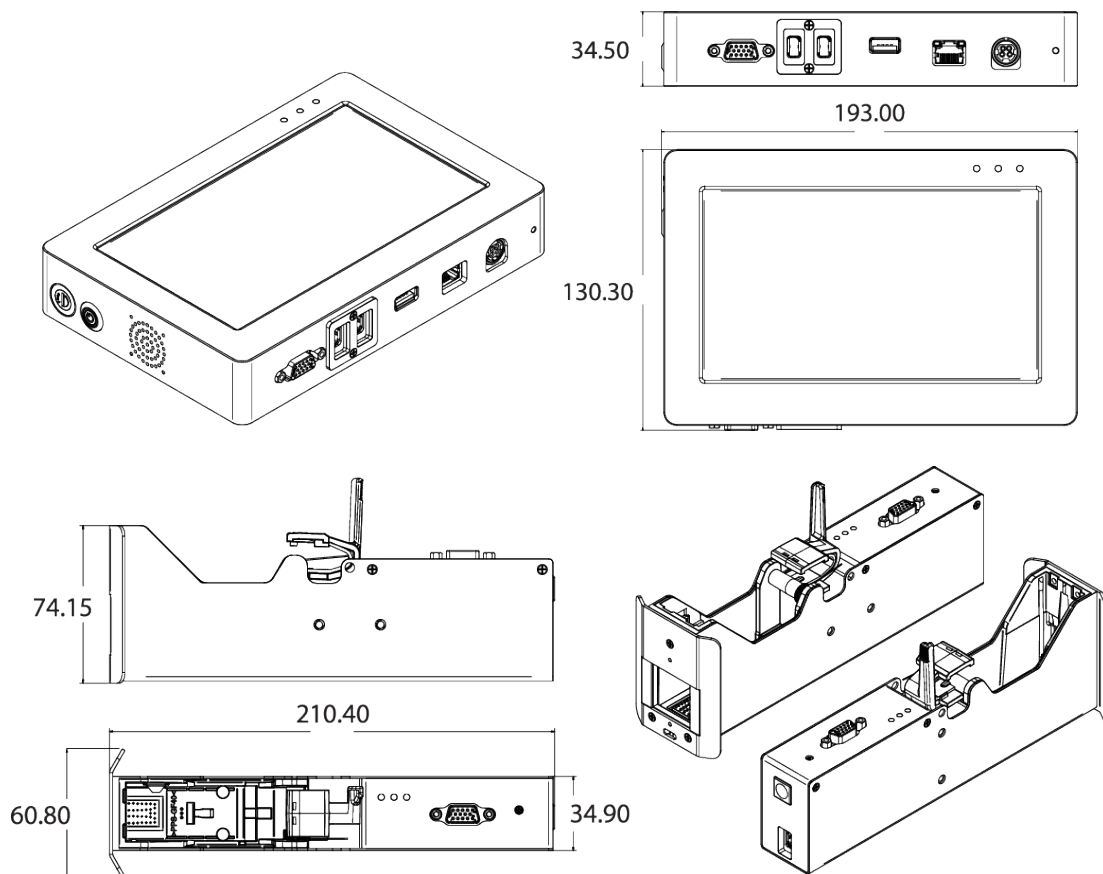
## FUNAI

- ✓ Wide Selection of Aqueous & Solvents inks available
- ✓ Minimal downtime, ink cartridges can be replaced easily
- ✓ No long start/shutdown procedure to follow
- ✓ Minimal printhead cleaning, filter replacements or any maintenance requirements

# SPECIFICATIONS

## TECHNICAL SPECIFICATIONS

Printing Technology	Funai TIJ
Controller Dimensions	193 x 130.3 x 34.5 mm
Printhead Dimensions	210.4 x 60.8 x 96.4 mm
Controller Weight	888g
Print Head Weight	584g
Display	7" LCD Touch Screen
Power Supply	AC 100V-240V, 50/60Hz, DC 24V 2.5A
Resolutions	Max 300 DPI
Print Speed	18m/min @ 300x300 dpi
Density	3 levels
Throw Distance	10mm



## FEATURES

<b>Wide Range Of Print Types</b>	<ul style="list-style-type: none"> <li>• Text, Counter</li> <li>• Box/Lot</li> <li>• Datetime</li> <li>• Expiry Date</li> <li>• Julian Date</li> <li>• Shiftcode</li> <li>• Image</li> <li>• Database</li> </ul> <p>1D &amp; 2D Barcodes (Code 11, Code 39, Code 128, EAN, QR, Datamatrix, GSI Datamatrix...)</p>
<b>Printable Height</b>	Maximum 25.4 mm / 2 heads
<b>External Connections</b>	<ul style="list-style-type: none"> <li>• Build in sensor</li> <li>• External Sensor</li> <li>• Encoder and Alarm beacon</li> </ul>
<b>Template Length</b>	2m
<b>Database</b>	TXT, CSV, SQL, MySQL, SQLite, JSON
<b>Advance Features</b>	<ul style="list-style-type: none"> <li>• Free design in template up to 2 inch (2 head)</li> <li>• POD (Print online data) Integrate with other devices (PLC, Camera, Checkweigher...) via RJ45</li> <li>• Real-time Printing</li> <li>• WYSIWYG (what you see is what you get)</li> <li>• Data upload, Backup &amp; Recovery via USB</li> </ul>
<b>Printable Characters</b>	Windows true fonts - Free design in template up to 1 inch (2 heads)
<b>Print Languages</b>	English (default), Vietnamese, Chinese (PRC), Turkish, Korean, Russian, Japanese, Hebrew, Spanish, Thai, Portuguese and Arabic...
<b>System Languages</b>	English (default), German, Vietnamese, Chinese, Korean, Russian, Turkish, Portuguese, Spanish, Polish, Greek and Italian (and others)



# APPLICATIONS

## INDUSTRY OPPORTUNITIES



F&B



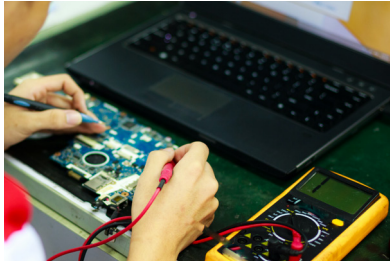
SHIPPING & LOGISTICS



PHARMACEUTICALS



PERSONAL CARE



ELECTRONICS



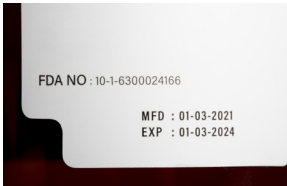
AUTOMOTIVE

## TYPES OF PRINTING APPLICATIONS

### POROUS



CARTON BOXES



FOOD BOXES

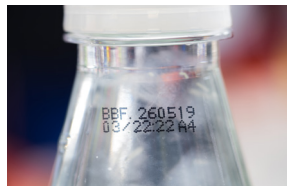


MASKS



MEDICINE BOXES

### NON - POROUS



PLASTIC BOTTLES



CANS



FOOD LABELS



PVC TUBES

## ABOUT

# RYNAN TECHNOLOGY

---

RYNAN Printing is one of the business entities of RYNAN Technologies. Founded in 2015, the company is based in Vietnam, Singapore and India. RYNAN creates and develops industrial thermal inkjet technology and has been paving the way for the industry since. Serving a global community of customers in multiple sectors including industrial coding and marking, packaging, and pharmaceuticals.

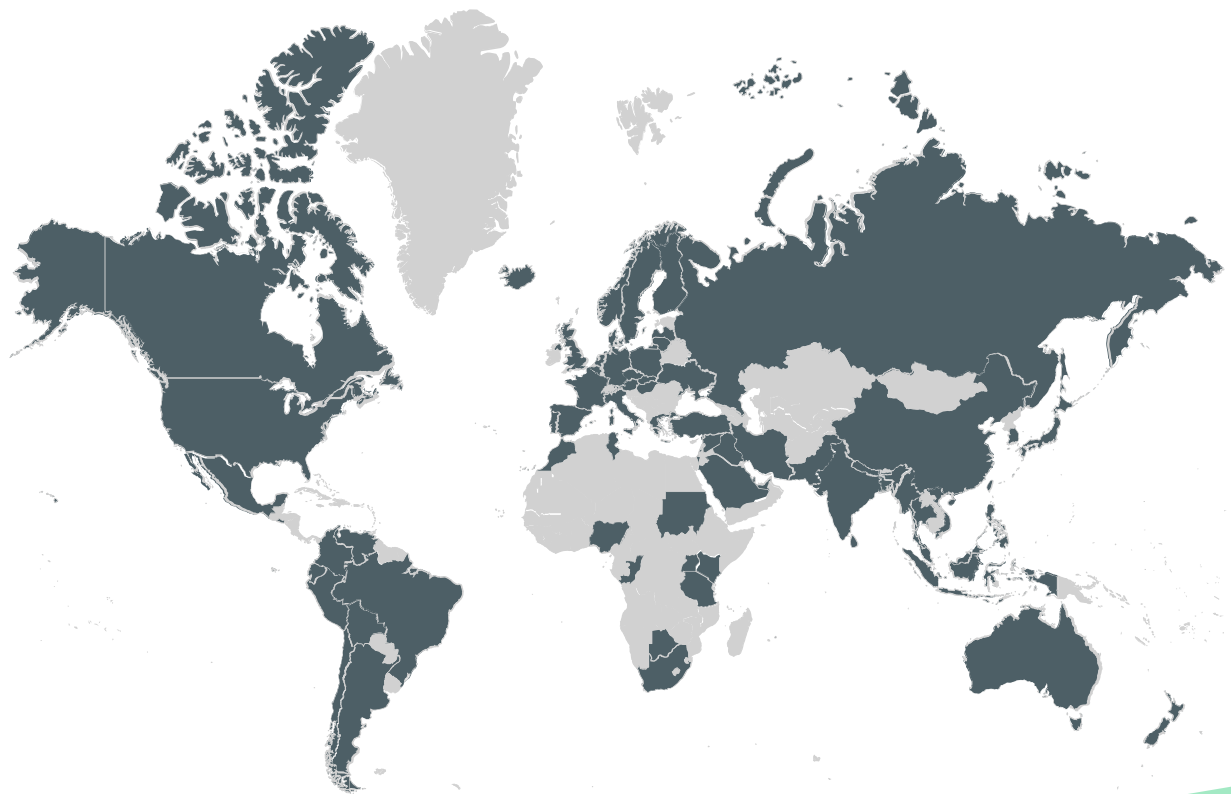
## OUR VISION

RYNAN is devoted to creating the most effective and environmentally conscious solutions for the market. Helping partners and customers achieve their business targets, by supplying reliable and cost-effective products.

---

With a global market presence in more than 70 countries worldwide in the coding and marking industry, we work side-by-side with industry leaders to provide private labels, components, software and consumables to partners.

Together, RYNAN Printing strives to provide the best printing applications and TIJ inks to our customers.



RYNAN TECHNOLOGIES © 2022

The information presented in this brochure, to the best of our knowledge, is accurate at the time of publication, and is presented as general information and no representation or warranty is expressly or impliedly given as to its accuracy, completeness or correctness. RYNAN Technologies reserves the right to make changes to this brochure and the contents herein, including without limitation, functionality, features, specifications, images, benefits, design, components, performance, and any other product information.



**RYNAN**<sup>®</sup>  
**TECHNOLOGIES**  
**PRINTING**

[www.rynanprinting.com](http://www.rynanprinting.com)

